

iSMA-D-PD10C-B1

User Manual



Global Control 5 Sp. z o.o.
Warsaw, Poland
www.gc5.pl

Table of contents

1	Introduction.....	3
1.1	Revision history	3
1.2	Safety rules.....	4
1.3	EN 55032:2015.....	5
1.4	EN 61000-3-2:2014.....	5
1.5	EN 61000-3-3:2013.....	5
1.6	EN 55024:2010 + A1:2015	5
1.7	EN 60950-1:2006 + A11:2002 + A1:2010 + A12:2011 + A2:2013	5
1.8	Technical specifications	6
1.9	Dimensions.....	7
1.10	Interface Details	7
2	Operation Guide.....	8
2.1	Rear navigation buttons.....	8
2.2	OSD options / Adjustment.....	9
3	Installation.....	10
3.1	Embed with snap joint Installation	10
3.2	Wall-mount Installation	11

1 Introduction

1.1 Revision history

Rev	Date	Description
1.0	2015.08.28	First edition

Table 1. Revision history

1.2 Safety rules

- **Note:** Incorrect wiring of this product can damage it and lead to other hazards. Make sure, the product has been correctly wired before turning the power ON.
- Before wiring, or removing/mounting the product, be sure to turn the power OFF. Failure to do so might result in electric shock.
- Do not touch electrically charged parts such as the power terminals. Doing so might result in electric shock.
- Do not disassemble the product. Doing so might result in electric shock or faulty operation.
- Use the product within the operating ranges recommended in the specification (temperature, humidity, voltage, shock, mounting direction, atmosphere etc.). Failure to do so might result in fire or faulty operation.
- Do not place the monitor on the unstable surface.
- Do not exposed the monitor directly in the sunlight and other heat sources.
- Unplug the power cable when thunderstorm weather with lightning occurred.
- Do not step on the power cord or make the power cord entwined.
- Do not make the external wall socket overload.
- Clean the monitor with dry soft fabric (volatile matter not allowed).
- Do not contact with or be exposed to inappropriate temperatures, solvents, acid, water or moisture.
- Avoid the fragmentation, corrosion and any other damage to products or components (such as shell, LCD/LED panel, port, circuits etc.) caused by insect and mouse or any other things inserting.
- Please don't install, repair, add or alter the products by the unauthorized agency or person.
- Please place it in a suitable location, such as mounted on the wall, hanging from the ceiling, and install it under the guidance of the professional.
- Unplug the power cable if the monitor is not used for a long time.
- Before you power the device, make sure the power voltage meets the device requirements.

1.3 EN 55032:2015

Electromagnetic compatibility of multimedia equipment. Emission Requirements.

1.4 EN 61000-3-2:2014

Electromagnetic compatibility (EMC). Limits for harmonic current emissions for equipment input current ≤ 16 A per phase).

1.5 EN 61000-3-3:2013

Electromagnetic compatibility (EMC). Limits for voltage changes, voltage fluctuations and flicker in public low-voltage supply systems, for equipment with rated current ≤ 16 A per phase.

1.6 EN 55024:2010 + A1:2015

Information technology equipment. Immunity characteristics. Limits and methods of measurement.

1.7 EN 60950-1:2006 + A11:2002 + A1:2010 + A12:2011 + A2:2013

Information technology equipment. SafetyGeneral requirements specifies requirements intended to reduce risks of fire, electric shock or injury for the OPERATOR and layman who may come into contact with the equipment and, where specifically stated, for a SERVICE PERSON.

1.8 Technical specifications

Panel type	HD industrial TFT LCD	
Screen type	LED ; Backlight lifetime ≥ 50000 h,	
Size	10.1"	
Aspect Ratio	16:9	
Resolution	For iSMA-B-MAC36NL 1280x720, for Panel 1366x768	
Luminance	300nit, up to 800nit	
Contrast	800:1	
Active Area	222.7x125.2 mm	
Display color	16.7M	
Point distance	0.264mm	
View angle	75/75/75/75	
Response time	≤ 5 ms	
Installation	Compatible with VESA, For embedding, Wall Mount	
Menu Languages	English, French, German, Spanish, Chinese, Italian, Russian	
Touch Type	10-point capacitive touch screen	
Material	Metal /Aluminum Alloy	
Signal port	VGA、HDMI、DVI	
Power port	DC12V- 24V	
Audio port	Audio I/O	
Touch port	Rj45 (customized USB)	
Anti-interference	Anti-interference Electromagnetic Compatibility; Electromagnetic Interference	
Anti-Vibration	5-19HZ/1.0mm Amplitude; 19-200HZ/1.0g Accelerated Speed	
Temperature	Operating temperature: -10°C to 60°C (14°F to 140°F)	Storage temperature: -10°C to 60°C (14°F to 140°F)
Humidity	Operation humidity: 10% to 80%	Storage humidity: 10% to 90%
Anti-static	4KV-8KV; (customized MAX 16KV)	
Rated Voltage	AC100V~240V to DC12V-24V	
Rated Frequency	50Hz/60Hz	
Power supply	AC 110-240V, 50/60Hz	
Power supply adapter	EU, UK or US	
Power	Power consumption ≤ 30 W	Power standby ≤ 1.5 W
Dimension	293,6x193,6x48,5 mm (11.560x7.622x1.909 in)	
IP	IP65 – for front panel	

Table 2. Technical specifications

1.9 Dimensions

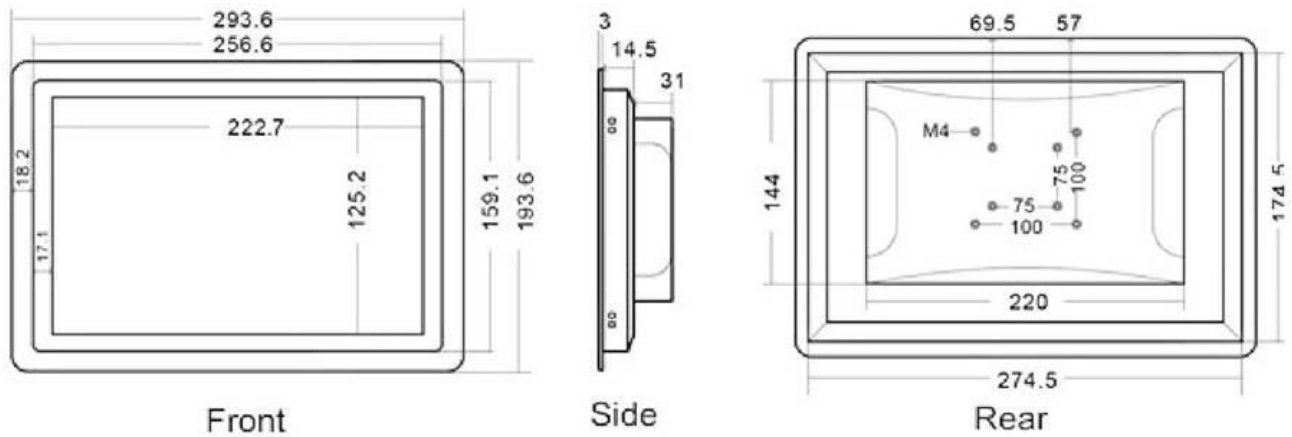


Figure 1. Dimensions

1.10 Interface Details

The Monitor will recognize and select the signal automatically.

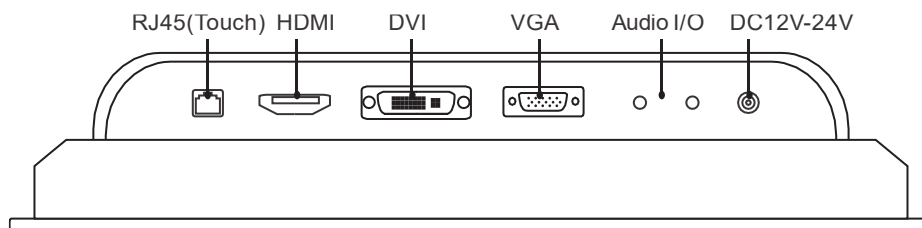


Figure 2. DC power supply connection

2 Operation Guide

2.1 Rear navigation buttons

The buttons are used to navigate in the user menu, turn the device on and off.

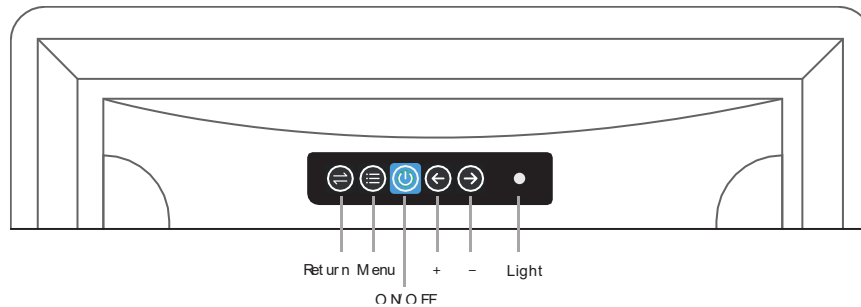


Figure 3. Rear navigation buttons

Symbol	Name	Using instruction
Left	Choose +	Choosing different submenus, the function of this button is the change of data quantity
Right	Choose -	
ON/OFF	On / off button	Start-up/Shut down the monitor.
Return	Back button	Return to the up level menu.
Menu	Main menu	First time this button is pressed OSD will pop-up

Table 3. Operating method for rear navigation buttons

2.2 OSD options / Adjustment

OSD menu's basic functions: Screen display effect adjustment Automation. Brightness adjustment, Contrast ratio adjustment, Color adjustment...etc. If need to enter OSD Menu interface, can go into trial testing of below parameters by clicking main "MENU" options.

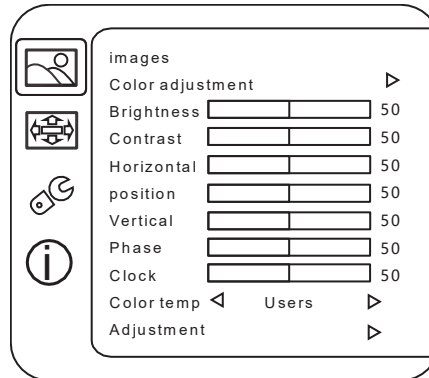


Figure 4. Image adjustment

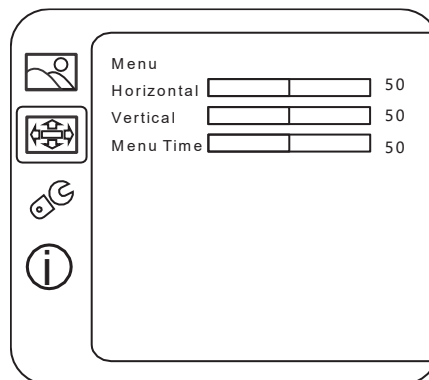


Figure 5. Menu adjustment

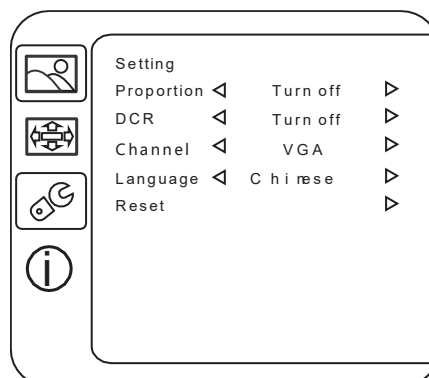


Figure 6. Setting adjustment

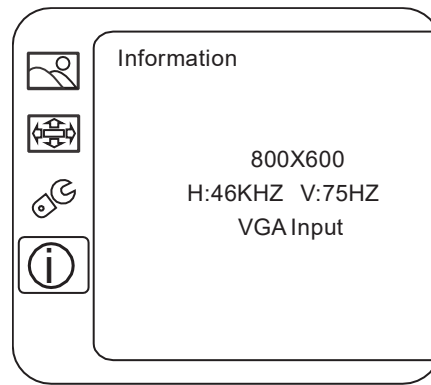


Figure 7. Information menu

3 Installation

- Do not place the monitor next to the radiator or heat source.
- Do not let any objects press or twine around the power cable or VGA cable.
- Do not place the monitor near to water source or humid places.
- Do not block off the back vents which can dissipate heat generated inside it to prevent damage of components.

3.1 Embed with snap joint Installation

Follow the below steps to install monitor with four snap joints buckle hole:

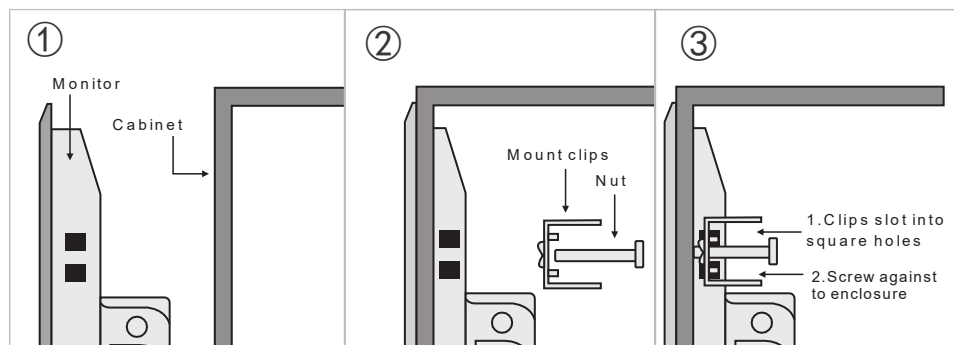


Figure 8. Embed with snap joint Installation

3.2 Wall-mount Installation

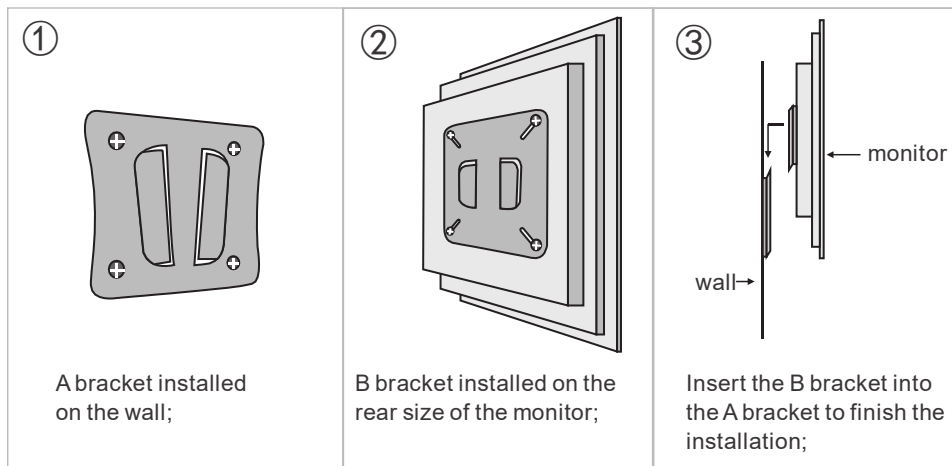


Figure 2. Wall-mount Installation